



## ANEMOS

### Floor standing hot air heater

- » 20 models, 2 versions, vertical and horizontal, 3 different motorizations
- » External burner
- » Centrifugal ventilation
- » Combustion chamber with flame inversion made of stainless steel AISI 430
- » High yields, up to 92,2%, with exchanger inspectionable for the maintenance
- » Ideal for the heating of medium and large rooms with an intermittent use (industrial sites, workshops, churches, sports halls)

**Power: from 34 to 1.400 kW**

## TECHNICAL FEATURES

### Floor standing gas air heater equipped with:

- > **Combustion chamber with flame inversion made of stainless steel AISI 430** with a large thermal exchange surface and low thermal loads. Fumes exhaust placed on the opposite side of the burner.
- > Internal support structure made of self-supporting sheet.
- > **Ventilation system realized with double intake centrifugal fans**
- > The standard unit is provided without burner. Compatibility with air jet burners of any brand. (gas or diesel oil)

### Safety systems:

- > **Thermostat "Fan" + Thermostat "Limit"** (thermostat "Fan" activates the fan once the internal temperature of 40°C is reached; Thermostat "Limit" stops the burner once the internal temperature exceeds 80°C)
- > **"Safety" Thermostat** (with manual reset, stops the burner once the internal temperature reaches 110 °C)
- > Control panel with general ON-OFF switch; Burner switch; fuses, and thermal relay for each fan motor.
- > **2 intake inlets (on both sides) and free upper air outlet**, without any grid or protection

#### ATTENTION:

When you send us the order we strongly recommend you to indicate which burner (brand and model) will be installed, in order to guarantee the supply of the correct burner plate; in case this information is missing we will supply the standard burner plate.

#### ATTENTION:

It is forbidden to start up the unit if all the holes of the units (intake + outlet) are not properly ducted or protected by grids or safety net available as optional accessories: standard grids, air filter, closing panels, plenum, etc...)

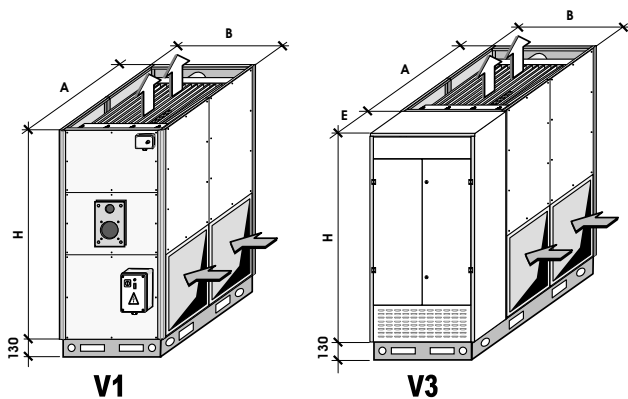


## TECHNICAL DATA

Model	Nominal thermal input (burnt)	Heating capacity output	Thermal efficiency	Air flow	Static pressure	Sound level	ΔT Air supply In-Out	Electric motor	Power supply	Burner selection		
										Nozzle length Min-Max	Nozzle diameter	Counter pressure combustion chamber
	kW	kW	μ %	m <sup>3</sup> /h	Pa	dB(A)	°C	N. x kW		mm	mm	Pa
GHB 30	34	31	91,7	2.000	130	50	47	1 x 0,25	230Vac-1Ph-50Hz	100 - 210	100	15
GHB 40	46	42	92,2	2.700	167	49	48	1 x 0,28			100	18
GHB 60	69	63	91,8	4.200	221	57	46	1 x 0,74			100	20
GHB 80	93	85	91,3	5.500	160	54	47	1 x 0,74			130	25
GHB 110	127	116	91,0	7.600	207	65	46	1 x 1,5			130	28
GHB 130	151	137	90,7	8.600	184	63	48	1 x 1,5		130	32	
GHB 160	186	168	90,3	10.800	212	66	47	1 x 2,2		150	40	
GHB 200	232	210	90,6	13.600	248	68	47	1 x 3,0		150	43	
GHB 250	290	264	90,9	16.500	228	63	48	2 x 1,5		170	52	
GHB 300	348	318	91,3	20.000	219	66	48	2 x 2,2		170	60	
GHB 350	407	373	91,6	24.000	216	65	47	2 x 2,2	400Vac-3Ph+N-50Hz	120 - 310	190	75
GHB 400	465	427	91,9	27.800	220	68	47	2 x 3,0			190	80
GHB 450	522	478	91,5	30.000	126	70	48	2 x 3,0			190	90
GHB 520	603	546	90,6	34.000	110	73	49	2 x 4,0			210	100
GHB 580	672	616	91,7	39.000	126	70	48	3 x 3,0			210	105
GHB 650	754	682	90,4	42.000	206	72	49	3 x 4,0		210	115	
GHB 750	870	794	91,3	48.700	189	72	49	3 x 4,0		230	107	
GHB 850	986	888	90,1	54.000	249	74	50	3 x 5,5		230	118	
GHB1000	1.160	1.053	90,8	64.000	206	74	50	4 x 5,5		230	110	
GHB1200	1.400	1.260	90,0	80.000	311	76	48	4 x 7,5		230	120	

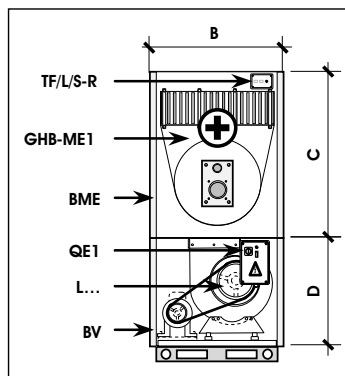
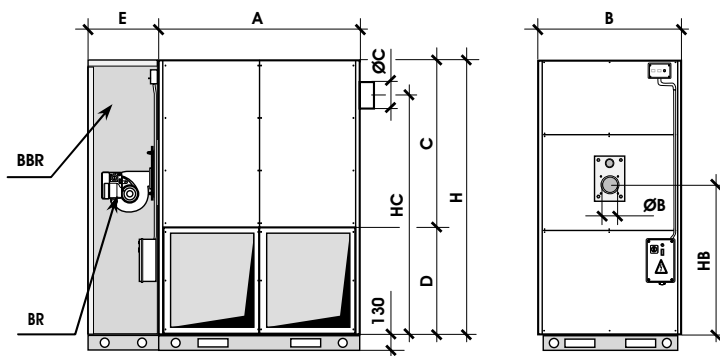
Model		GHB 30	GHB 40	GHB 60	GHB 80	GHB 110	GHB 130	GHB 160	GHB 200	GHB 250	GHB 300	GHB 350	GHB 400	GHB 450	GHB 520	GHB 580	GHB 650	GHB 750	GHB 850	GHB 1000	GHB 1200
Dimensions	A mm	750	900	1.000	1.400	1.900	2.100	2.100	2.600	3.100	3.700										
	B mm	500	650	850	1.000	1.150	1.250	1.300	1.500	1.600	1.800										
	H mm	1.600	1.800	2.100	2.300	2.400	2.450	2.750	3.000	3.100	3.200										
Ventil/module sections	C - D mm	1.100 - 500	1.200 - 600	1.450 - 650	1.550 - 750	1.750 - 650	1.700 - 750	1.950 - 800	2.200 - 800	2.300 - 800	2.400 - 800										
Burner box	E mm	400	450	500	700	800	800	900	900	1.000	1.100										
Burner Flange	HB x ØB mm	760 x Ø110	930 x Ø110/140	1.095 x Ø140	1.155 x Ø160	1.155 x Ø180	1.235 x Ø200	1.350 x Ø200/220	1.570 x Ø220	1.570 x Ø240	1.550 x Ø240										
Smokes exhaust	HC x ØC mm	1.235 x Ø120	1.440 x Ø160	1.730 x Ø180	1.905 x Ø200	2.005 x Ø250	2.080 x Ø300	2.360 x Ø300	2.620 x Ø350	2.720 x Ø350	2.790 x Ø400										
Net weight	kg	115	130	170	190	260	300	420	470	580	620	730	800	950	1.120	1.470	1.580	1.770	2.080	2.320	2.640

Dimensions (Standard supplied: GHB30...400 in one piece; GHB450-1200 in 2 separate sections)



Versions GHB-V1; GHB-V3; with: Motorization "D..." or "L..." indicated; Electric board and thermostats included; Intake/supply open sides; NO burner.

LEGEND	
BME-K	Box Energy module (double panel, pre-painted)
GHB-ME1	Chamber AISI 430 + Exchanger Aluminates
BV-P	Box Ventilating section (pre-painted casing only)
L...	Motorization (motor+fan)
QE1	Electric board
TF/L/S-R	3 thermostats kit (TF+TL+TS-R)
BBR-P	Box Burner (pre-painted)
BR	Burner (optional)
V1	Indoor version
V3	Outdoor version



**ATTENTION:**  
The data on table are merely indicative according to the product's updating. We kindly invite you to contact Systema's technical department for further information.